

Retractable door system

▶ KA 5740

▶ All the benefits at a glance



Stroke of genius. Mounted on the KA 5740 retractable door fitting, the doors can slide back into the sides of the carcass when they are opened. Perfect, for example, for TV and multimedia furniture or for a cocktail cabinet that appears in a jiffy and disappears again just as quickly. The fitting's mechanism also vanishes from view: simply by using face frame hinges.

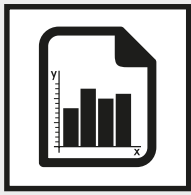
The Hettich KA 5740 retractable door fitting is suitable for door widths of 300 to 700 mm. All options with roll-out locating catch.



The Hettich KA 5740 fitting gives you the superior options for creating retractable doors. Upon opening, the doors simply disappear inside the carcass while running exceptionally smoothly.

Retractable door system

- ▶ KA 5740
- ▶ Summary



Performance summary

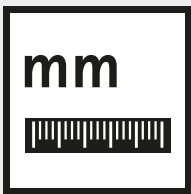
388 - 389

- ▶ Technical details in brief
- ▶ Door sizes
- ▶ Operating principle



System components

390



Planning dimensions

391 - 392



Installation

393



Accessories

402 - 413



Assembly aids

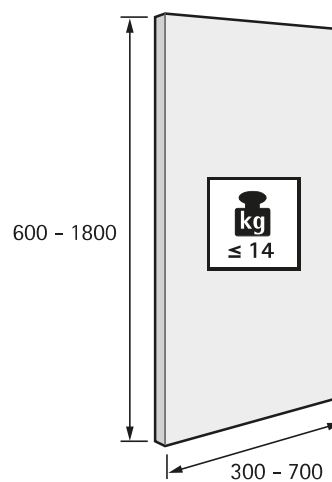
1115



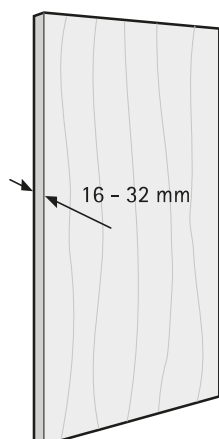
Technical details in brief

- ▶ For wooden doors
- ▶ Door weight up to 14 kg
- ▶ Door height up to 1800 mm
- ▶ Door width 300 - 700 mm
- ▶ Door thickness max. 22.5 or 32.0 mm
- ▶ With roll-out locating catch
- ▶ Tested to ANSI/BIFMA X5.5

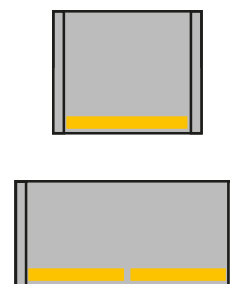
Door size and door weight



Door material

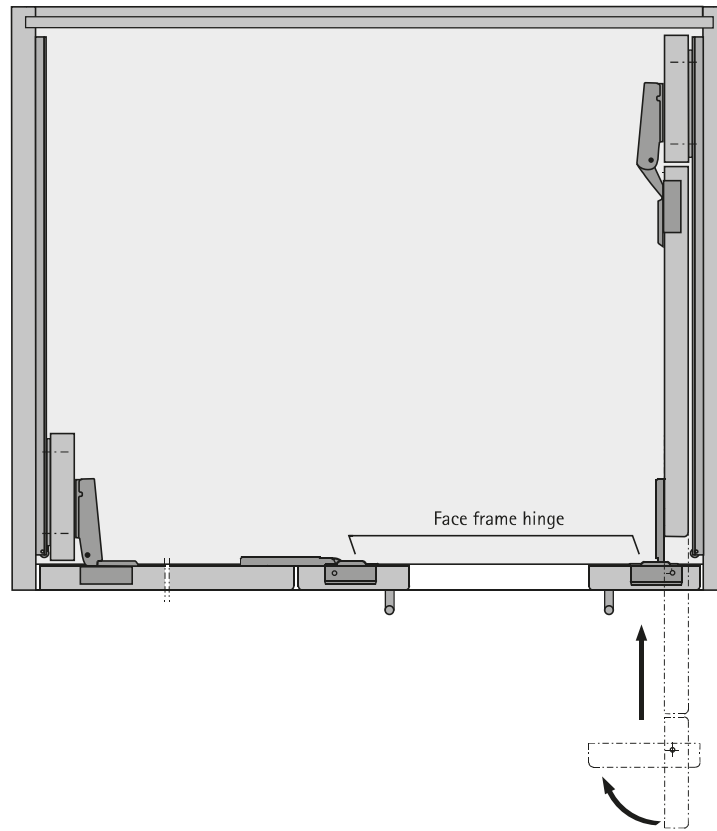


Number of door wings and door position





Operating principle



- ▶ KA 5740
- ▶ System components

KA 5740



- ▶ Pair of KA 5740 fittings for retractable doors

Page reference:

- ▶ Concealed hinges must be ordered separately, see Furniture Fittings and Applications catalogue 2016, volume 1, chapter Concealed hinges
- ▶ Face frame hinge must be ordered separately, see Furniture Fittings and Applications catalogue 2016, volume 1, chapter Special hinges

| Door width (max) | Order no. | PU |
|------------------|-----------|--------|
| 300 | 0 041 371 | 1 pair |
| 350 | 0 041 372 | 1 pair |
| 400 | 0 041 373 | 1 pair |
| 450 | 0 041 374 | 1 pair |
| 500 | 0 041 375 | 1 pair |
| 550 | 0 041 376 | 1 pair |
| 600 | 0 041 377 | 1 pair |
| 650 | 0 041 378 | 1 pair |
| 700 | 0 041 379 | 1 pair |

KA 5740 accessory set



- ▶ The KA 5740 accessory set also allows you to park flaps inside the top part of the cabinet carcass upon opening them
- ▶ The set of accessories assists the slide in and, when used on flaps, keeps them in the horizontal position

Set comprises:

- ▶ 8 door stops / spacers for pressing in, \varnothing 10 mm drilling
- ▶ 4 support rollers for flaps \varnothing 20 mm
- ▶ 4 rivets \varnothing 6 x 10 mm
- ▶ 4 panhead screws \varnothing 4 x 25 mm

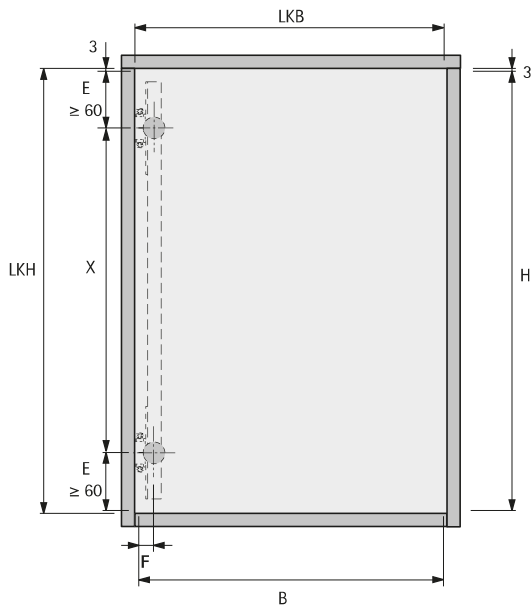
| Order no. | PU |
|-----------|-------|
| 9 079 526 | 1 set |

Retractable door system

► KA 5740

► Planning dimensions

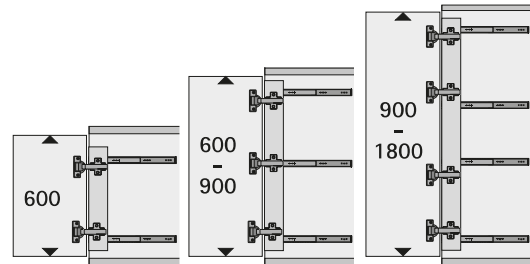
Installation dimensions for KA 5740



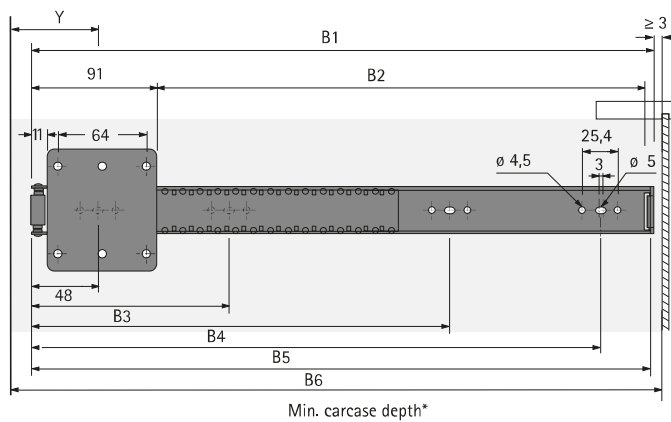
Door height = inside carcass height - 6 mm

Door width = inside carcass width - 6 mm

$X = \text{door height} - 2 \times E$



Recommended quantity of KA 5740 retractable door fittings depends on door height.



Min. carcass depth*

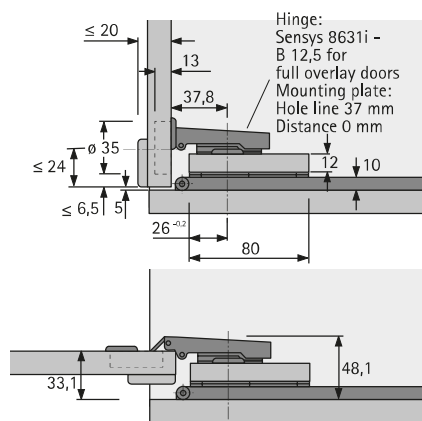
| Article | Dimension mm | | | | | |
|-------------|--------------|-----|-----|-----|-----|-----|
| | B1 | B2 | B3 | B4 | B5 | B6 |
| KA 5740/300 | 302 | 206 | 272 | - | - | 300 |
| KA 5740/350 | 352 | 256 | 304 | - | - | 350 |
| KA 5740/400 | 402 | 306 | 368 | - | - | 400 |
| KA 5740/450 | 452 | 356 | 144 | 304 | 400 | 450 |
| KA 5740/500 | 502 | 406 | 176 | 336 | 464 | 500 |
| KA 5740/550 | 552 | 456 | 208 | 368 | 528 | 550 |
| KA 5740/600 | 602 | 506 | 240 | 400 | 560 | 600 |
| KA 5740/650 | 652 | 556 | 272 | 432 | 624 | 650 |
| KA 5740/700 | 702 | 606 | 304 | 464 | 656 | 700 |

Retractable door system

► KA 5740

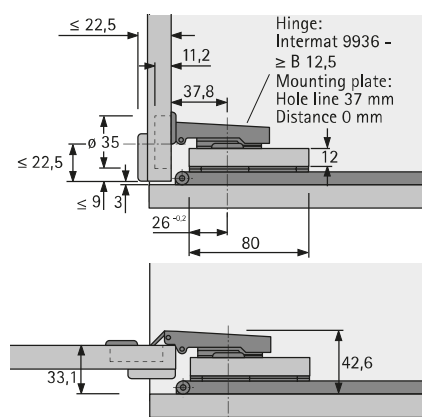
► Planning dimensions

Use with Sensys and 12 mm connecting strip



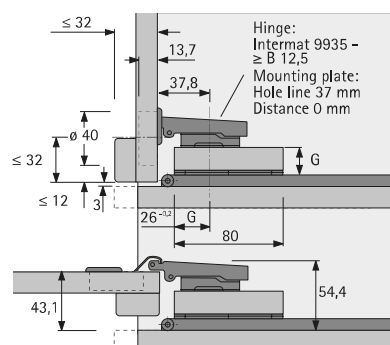
- For Sensys 8631i fast assembly hinge, see Furniture Fittings and Applications catalogue 2016, volume 1, chapter Concealed hinges Sensys
- For profile doors up to 28 mm
- 95° opening angle
- Base 12.5 mm
- Cup diameter 35 mm

Use with Intermat and 12 mm connecting strip



- For Intermat 9936 fast assembly hinge, see Furniture Fittings and Applications catalogue 2016, volume 1, chapter Concealed hinges Intermat
- For profile doors up to 22.5 mm
- 95° opening angle
- Base 12.5 mm
- Cup diameter 35 mm

Use with Intermat and 16 - 21 mm connecting strip



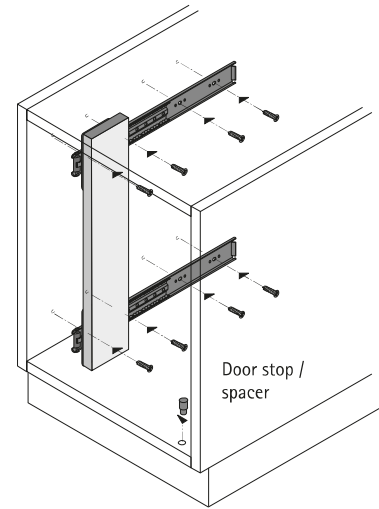
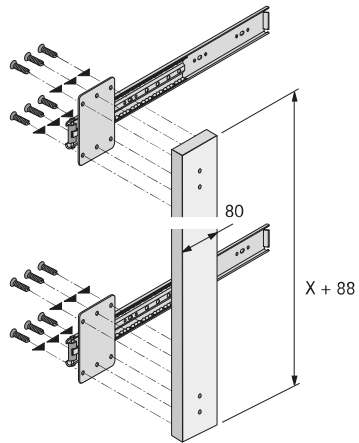
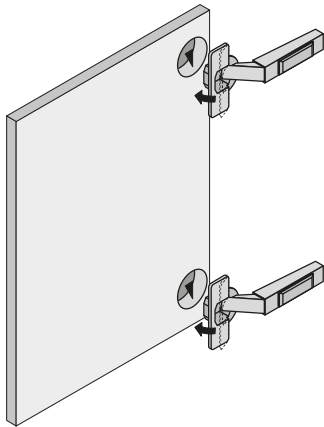
- For Intermat 9935 fast assembly hinge, see Furniture Fittings and Applications catalogue 2016, volume 1, chapter Concealed hinges Intermat
- For profile doors up to 32 mm
- 95° opening angle
- Base 18 mm
- Cup diameter 40 mm

| Distance | G mm |
|----------|------|
| 5 | 16 |
| 3 | 18 |
| 1,5 | 19,5 |
| 0 | 21 |

Retractable door system

- ▶ KA 5740
- ▶ Installation

Preparing / installing fitting



Installing door

